

RFID Expander Module BIS Z-ER
... for connecting up to 32 read/write heads



RFID Expander Module BIS Z-ER

... for connecting up to 32 read/write heads

BALLUFF
sensors worldwide

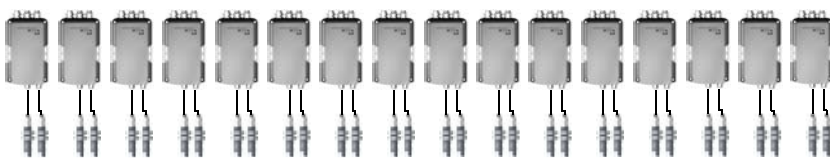


The expander module is designed for connecting up to 8 read/write heads: BIS L-3_ _ or BIS M-3_ _ can be selected using the rotary switch, depending on the processor (L or M). The read/write heads are selected electronically and are therefore not subject to wear. The process for selecting the read head can be monitored via feedback signals. 2 x 4 control signals help to select the desired read/write head.

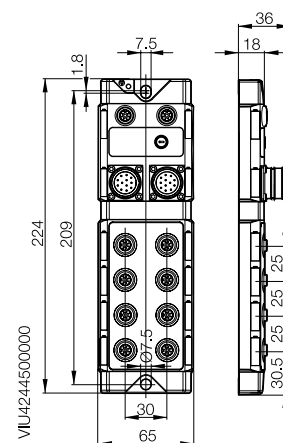
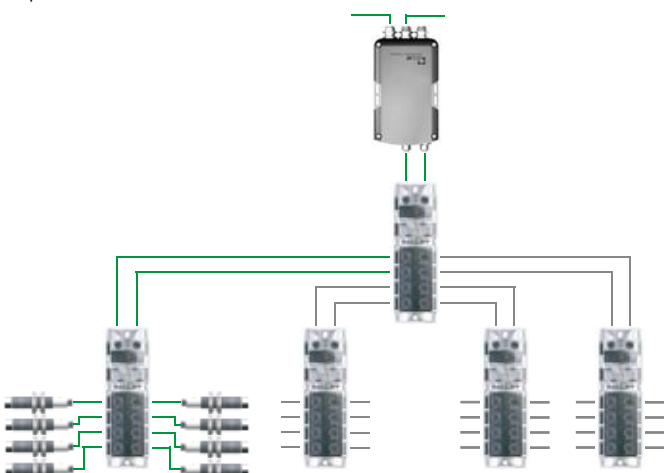
A maximum of 2 expanders can be connected in series. The new expander module is a low-cost, economically scalable solution for extending your current system by up to 32 read/write heads using only one processor.

Dimensions	225x68x37
Function	Expander module in combination with BIS L-60XX, BIS M-60XX or BIS M-407
Housing material	GD-Zn, nickel-plated
Weight	approx. 580 g
Order code	BIS Z-ER-001
Supply voltage	24 V DC $\pm 20\%$
Ripple	$\leq 10\%$
Current draw	≤ 400 mA
Operating temperature	0...+60 °C
Storage temperature	0...+60 °C
Protection as per IEC 60529	IP 65
Connection type	
Processor connection	2 x 8-pin connectors, M12
Read/Write head connections	2 x 4 8-pin connectors, M12
Control signal connection	2 x 12-pin connectors, M23
Read/Write head ports	2 x 4 external BIS L-3_ _ or BIS M-3_ _ specified by the processor used
Control displays	16 green LEDs and 16 yellow LEDs for indicating the selected read/write head
Mounting	2-hole mounting
Accessories please order separately	Connectors

Current standard configuration!



New! Connect up to 32 read/write heads to **one** processor with the new expander module



Balluff GmbH
Schurwaldstrasse 9
73765 Neuhausen a.d.F.
Germany
Phone +49 7158 173-0
Fax +49 7158 5010
balluff@balluff.de
www.balluff.com