

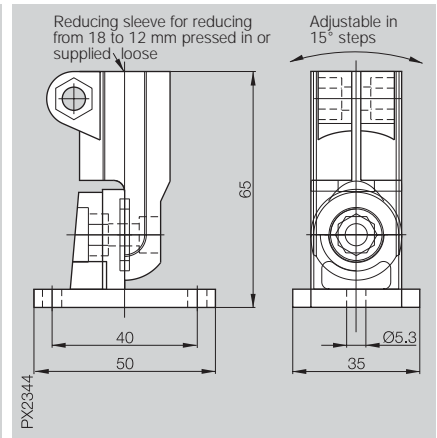
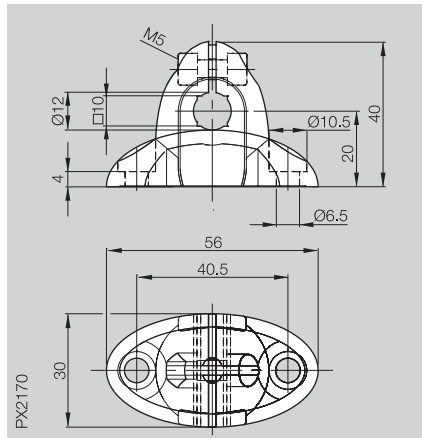
The Mounting System Line BMS

... exact sensor positioning for any application



BMS Mounting System

Description	Base holder	Articulated base holder
Type	for 1 rod \varnothing 12 mm or 10x10 mm	for 1 rod \varnothing 12 mm
Application	for mounting on base plates or rails	for mounting on base plates or rails



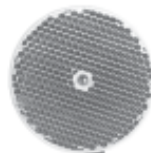
Ordering code	BMS CU-P-D12-A040-00	BMS CUJ-P-D12-R040-00
Material	POM plastic	POM plastic

Stainless steel screws included.



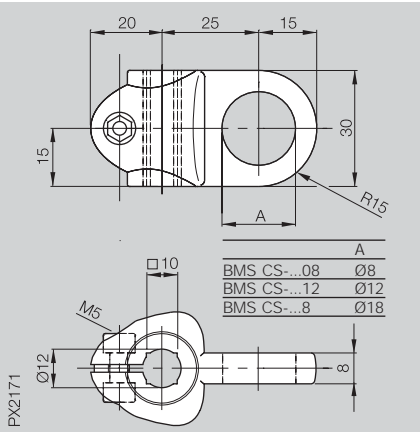
Mounting rods \varnothing 12 mm, anodized Al

- BMS RS-M-D12-0150-00 = 150 mm
- BMS RS-M-D12-0250-00 = 250 mm
- BMS RS-M-D12-1000-00 = 1000 mm



Sensor holder

for 1 rod \varnothing 12 mm or 10x10 mm
for cylindrical sensors

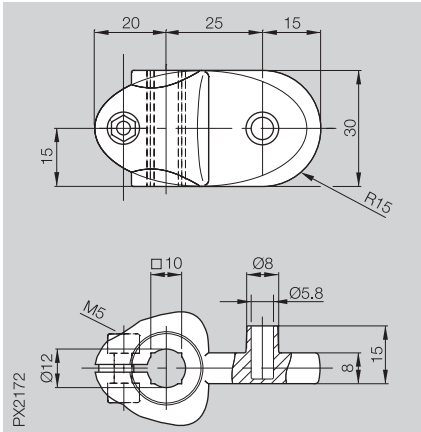


BMS CS-P-D12-AD08-00 for M8 sensors
BMS CS-P-D12-AD12-00 for M12 sensors
BMS CS-P-D12-AD18-00 for M18 sensors

POM plastic

Reflector holder

for 1 rod \varnothing 12 mm or 10x10 mm
for all reflectors with \varnothing 20 mm (glue) and
BOS R-14 \varnothing 51 mm (pluggable)

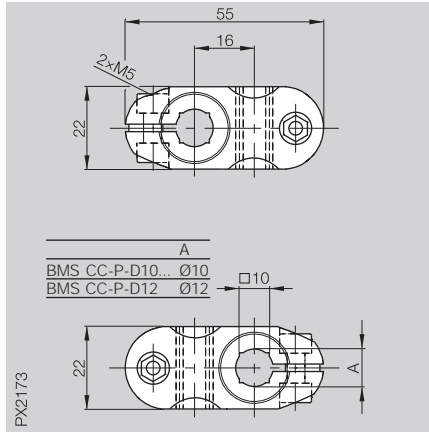


BMS CR-P-D12-AU-00

POM plastic

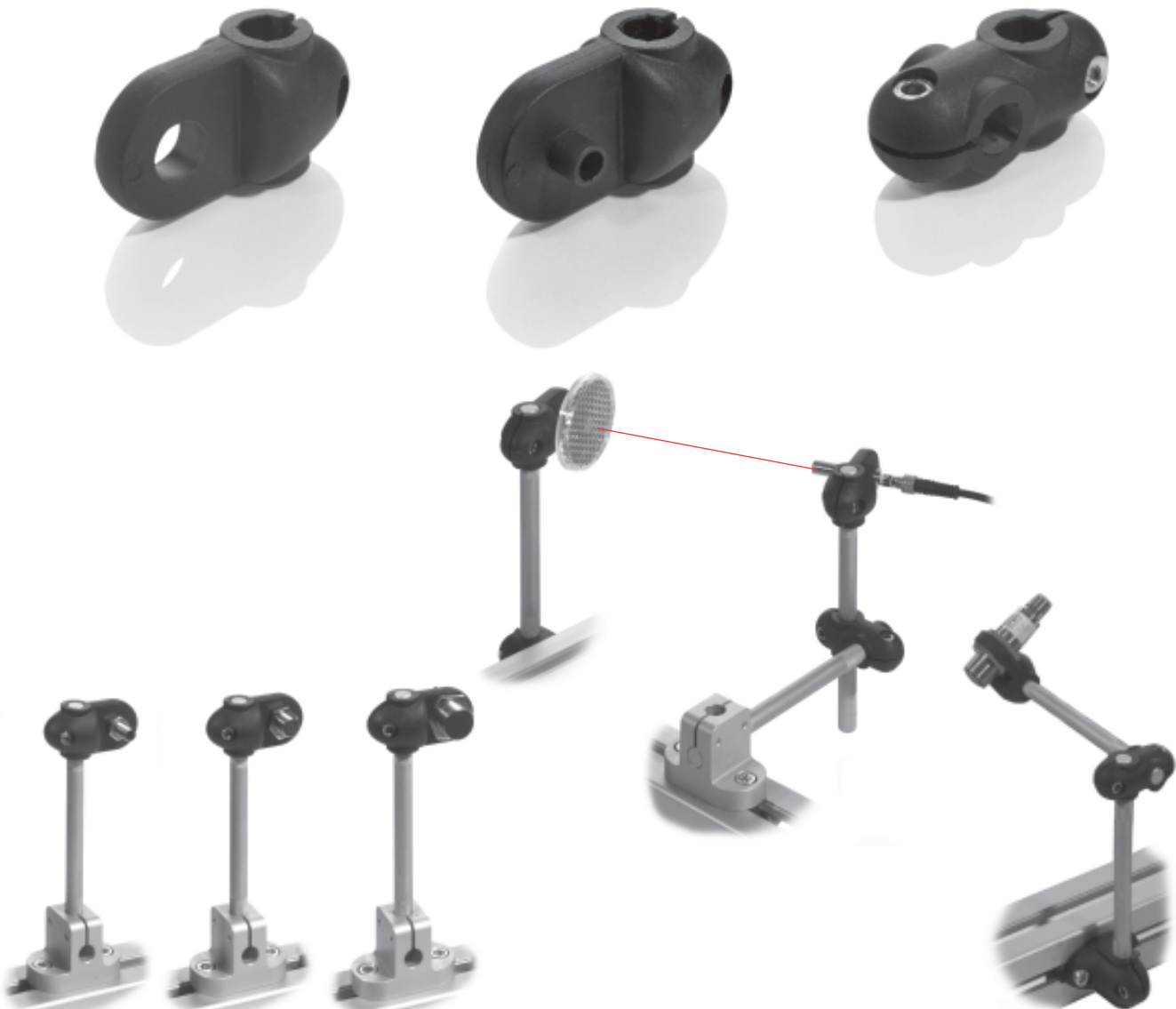
Cross-connector

for 2 rods \varnothing 10/12 mm or 10x10 mm
connecting element for 2 rods
 \varnothing 10/12 mm or 10x10 mm



BMS CC-P-D10-A-00
BMS CC-P-D12-A-00

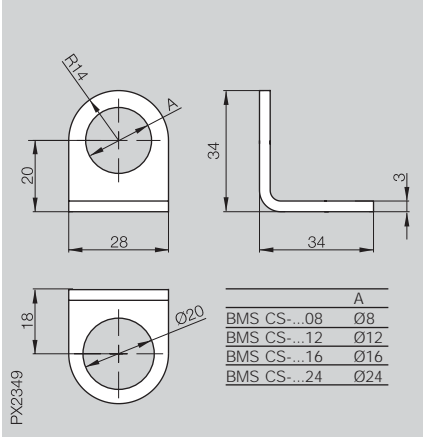
POM plastic



Sensor mount

for clamping cylinder

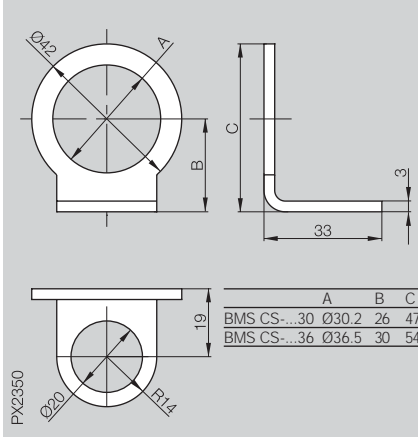
for cylindrical sensors M8, M12, M18 and M30 as well as all M8...M36 clamps



Sensor mount

for clamping cylinder

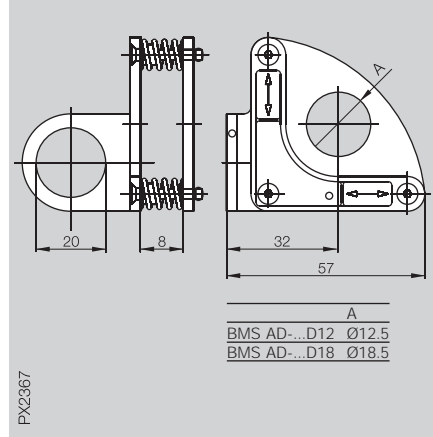
for cylindrical sensors M30



Adjusting unit

for clamping cylinder

for adjusting M18 laser sensors



BMS CS-M-D12-ID08-01
BMS CS-M-D12-ID12-01
BMS CS-M-D12-ID16-01
BMS CS-M-D12-ID24-01

V4A

BMS CS-M-D12-ID30-01
BMS CS-M-D12-ID36-01

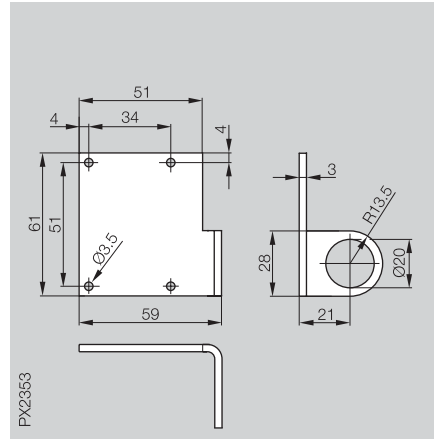
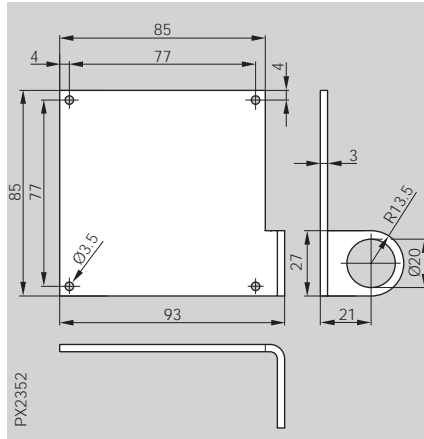
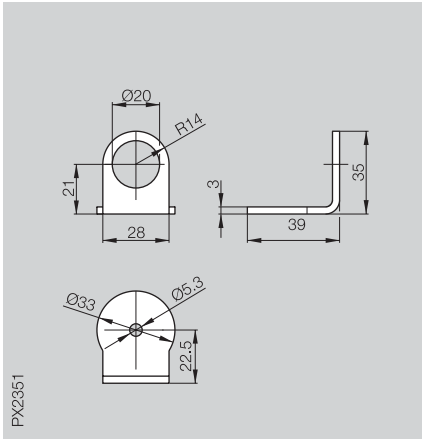
V4A

BMS AD-M-002-D12/D18

V4A

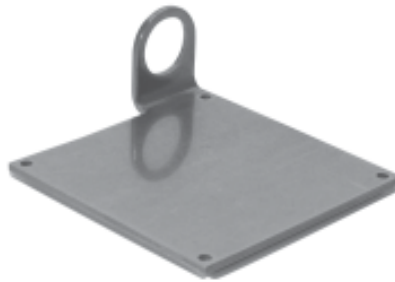


Description	Reflector mount	Reflector mount	Reflector mount
Type	for BOS R1 + R2 + R3	for BOS R11	for BOS R9
Application	for clamping cylinders	for clamping cylinders	for clamping cylinders



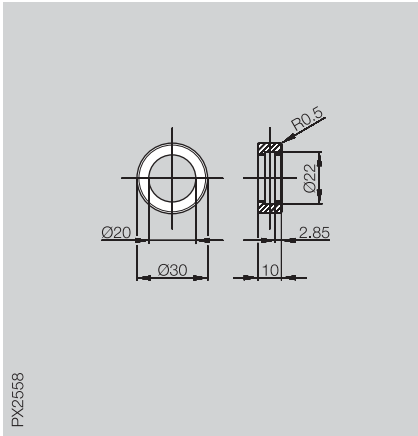
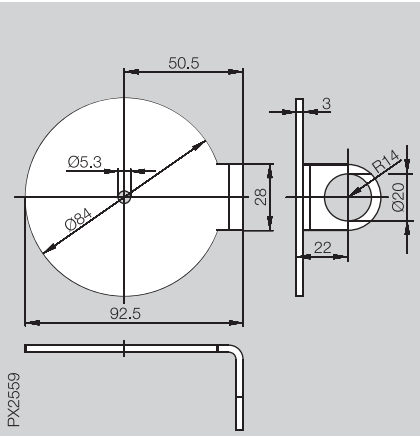
Ordering code	BMS CR-M-D12-IU-02	BMS CR-M-D12-IS-03	BMS CR-M-D12-IS-04
---------------	--------------------	--------------------	--------------------

Material	V4A	V4A	V4A
----------	-----	-----	-----



Reflector mount
for BOS R1
for clamping cylinders

Adapting
for 2x BMS CS-M-D12-IZ
for clamping cylinders

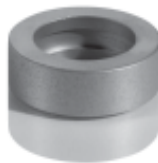


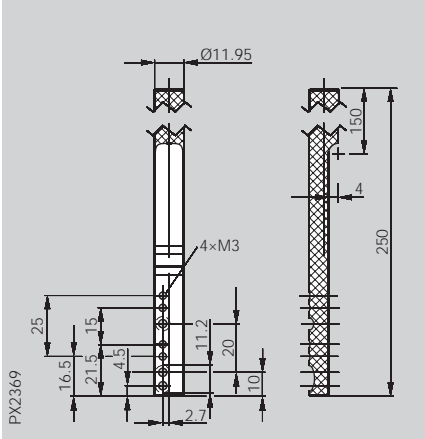
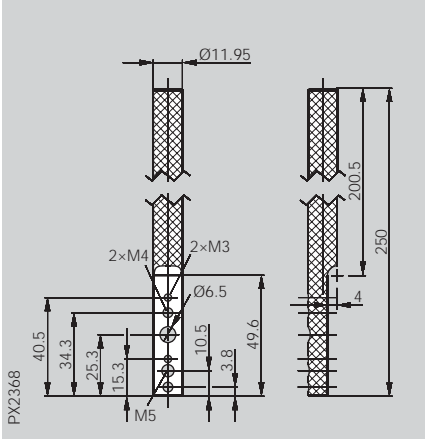
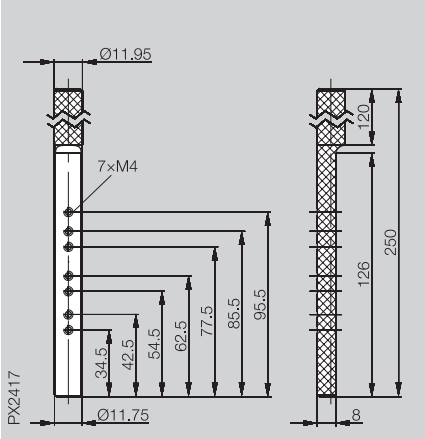
BMS CR-M-D12-IU-05

BMS AD-M-003-D12/IZ

V4A

Al anodized

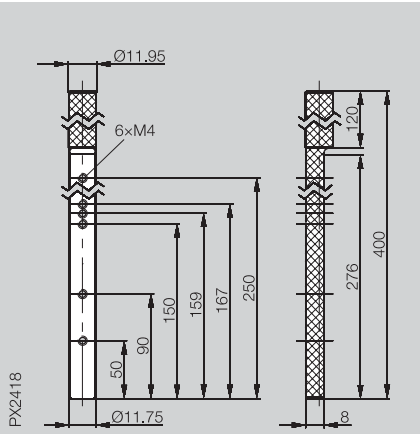


Description	Sensor holder	Reflector holder	Sensor holder
Type	for BOS 2K, BOS 5K, BOS 6K, BES/BOS Q08	for reflectors R1, R9, R14, R22, R26	for slot sensors BGL 5A, 10A, 20A, 30A, 50A
Application	for Base holder Ø 12 mm	for Base holder Ø 12 mm	for base holders with/without cross-connector
			
Ordering code	BMS BS-M-D12-0250-02	BMS BS-M-D12-0250-01	BMS BS-M-D12-0250-03
Material	Al anodized	Al anodized	Al eloxiert



Sensor holder

for slot sensors BGL 80A, 120A, 180A, 220A
for base holders with/without
cross-connector

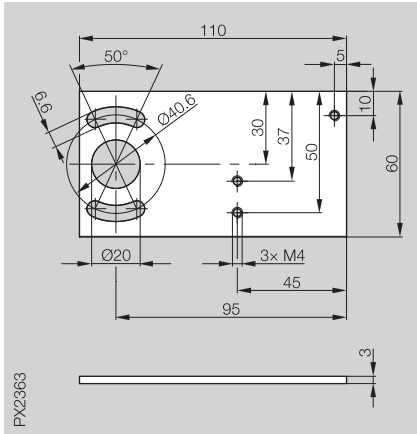


BMS BS-M-D12-0400-04

Al eloxiert

Sensor adapter plate

for BOS 21/25/26
for base holder with 40 mm hole spacing
and clamping cylinders

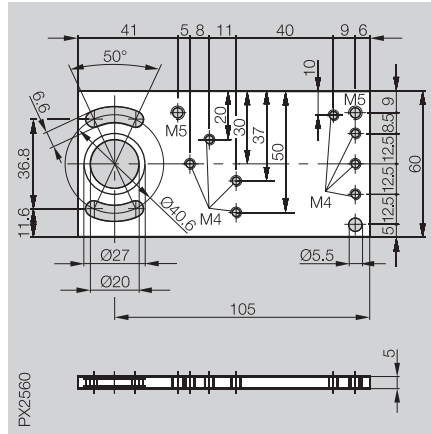


BMS CS-M-D12-BX01-01

Al anodized

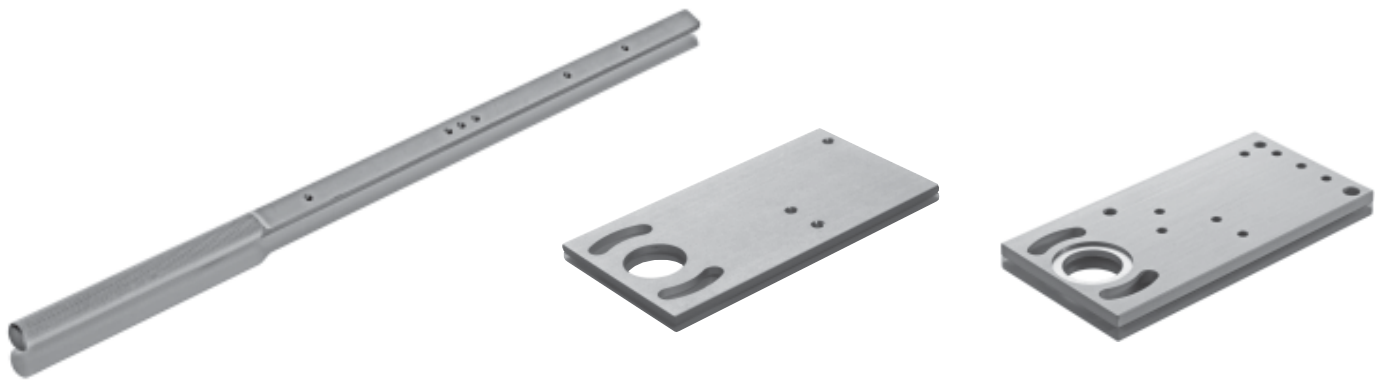
Sensor adapter plate

for BOS 21/25/26, BOD 63/66
for base holder with 40 mm hole spacing
and clamping cylinders

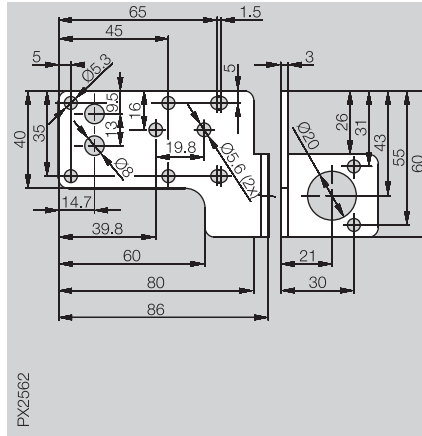
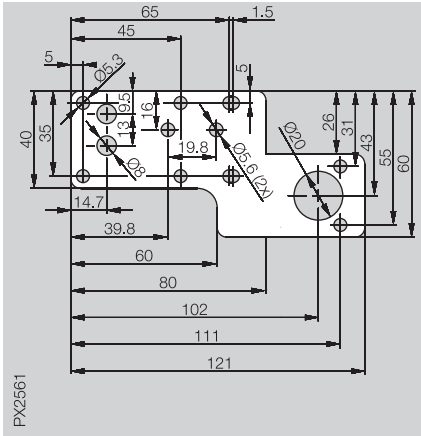


BMS CS-M-D12-BX05-02

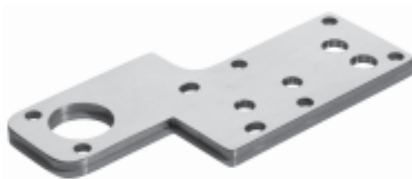
Al anodized



Description	Sensor holder	Sensor holder	
Type	straight	right-angle	
Application	Sensor holder for Unicomcompact, Unisensor, BES IKU, ASI, AS-Interface, Remote, BIS	Sensor holder for Unicomcompact, Unisensor, BES IKU, ASI, AS-Interface, Remote, BIS	



Ordering code	BMS CS-M-D12-IQ40-03	BMS CS-M-D12-IQ40-02	
Material	V4A	V4A	



Installing sensors in machines and systems often requires quick solutions for positioning the sensors. Service personnel or installers involved in mounting sensors need ready-made, compatible solutions.

For these situations Balluff offers the BMS Mounting Kit. From base holders to rods and cross-connectors to the most important sensor holders, the Mounting Kit contains everything needed for achieving a secure sensor position. Afterwards an included order pad makes reordering easy. The rugged aluminum case with additional variable compartments is designed for hard industrial use.

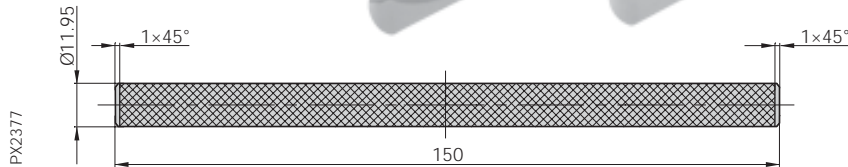
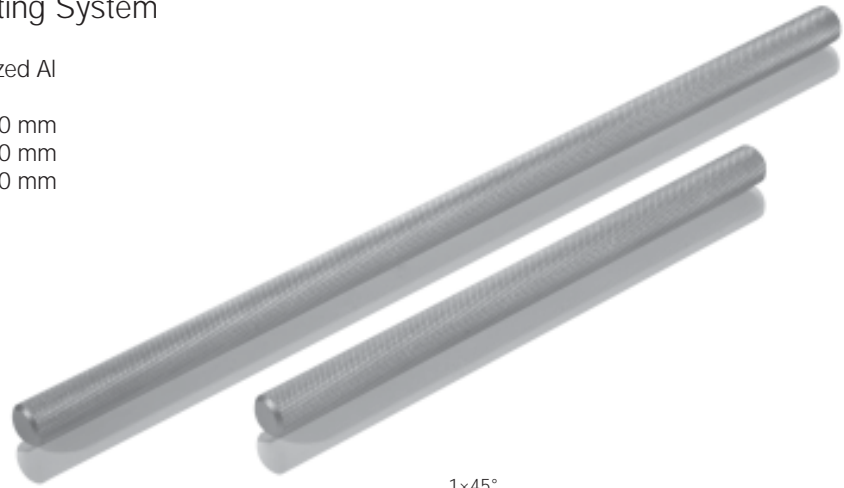
Ordering code
BMS Mounting Kit V1

Item	No. per case	Description	Ordering code
1. 	20	Base holder	BMS CU-M-D12-A040-00
2. 	10	Cross-connector	BMS CC-M-D12-B-00
3. 	20	Clamping cylinder	BMS CS-M-D12-IZ
4. 	5	Sensor mount for M8	BMS CS-M-D12-ID08-01
5. 	10	Sensor mount for M12	BMS CS-M-D12-ID12-01
6. 	10	Sensor mount for M16	BMS CS-M-D12-ID16-01
7. 	10	Sensor mount for M18	BMS CS-M-D12-ID18-01
8. 	10	Sensor mount for M24	BMS CS-M-D12-ID24-01
9. 	5	Sensor mount for M30	BMS CS-M-D12-ID30-01
10. 	5	Sensor holder for Q40 straight	BMS CU-M-D12/IQ40-03
11. 	5	Sensor adapter plate for BOS 21/25/26	BMS CS-M-D12-BX01-01
12. 	5	Reflector mount for BOS R-9	BMS CR-M-D12-IS-04
13. 	5	Reflector holder for R1, R9, R14, R22, R26	BMS BS-M-D12-0250-01
14. 	5	Reflector BOS R-9	BOS R-9
15. 	10	Mounting rod 150 mm	BMS RS-M-D12-0150-00
16. 	10	Mounting rod 250 mm	BMS RS-M-D12-0250-00



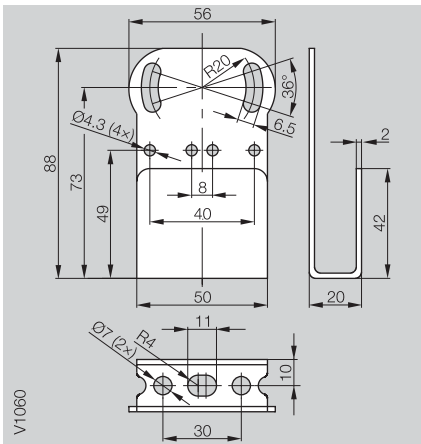
Mounting rods \varnothing 12 mm, anodized Al

- BMS RS-M-D12-0150-00 = 150 mm
- BMS RS-M-D12-0250-00 = 250 mm
- BMS RS-M-D12-1000-00 = 1000 mm
(for use assembly)

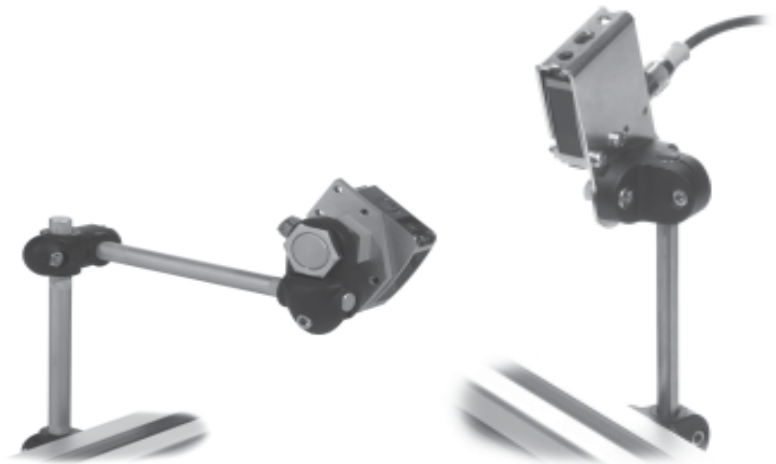


The mounting rods are knurled over the full length. This prevents slipping and position shifting.

Mounting bracket
for BOS 21M



BOS 21-HW-4



For more products see main catalog "The Sensor Line" on CD-ROM, DVD-ROM or online!

www.balluff.com

Balluff GmbH
Schurwaldstrasse 9
73765 Neuhausen a.d.F.
Germany
Phone +49 7158 173-0
Fax +49 7158 5010
balluff@balluff.com